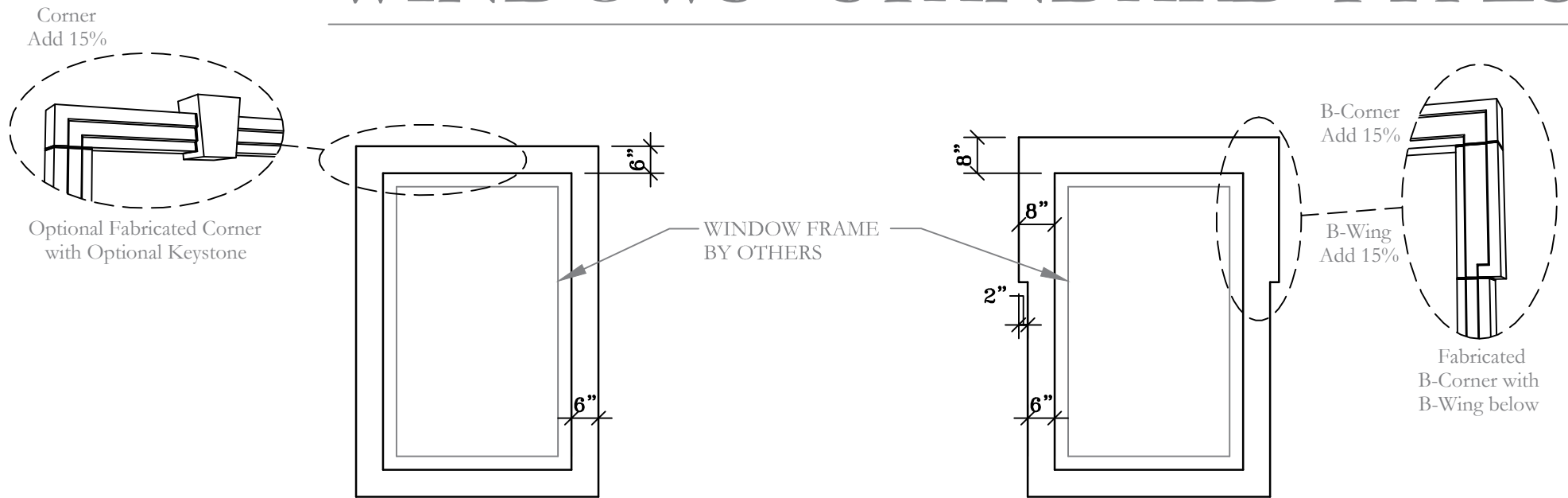
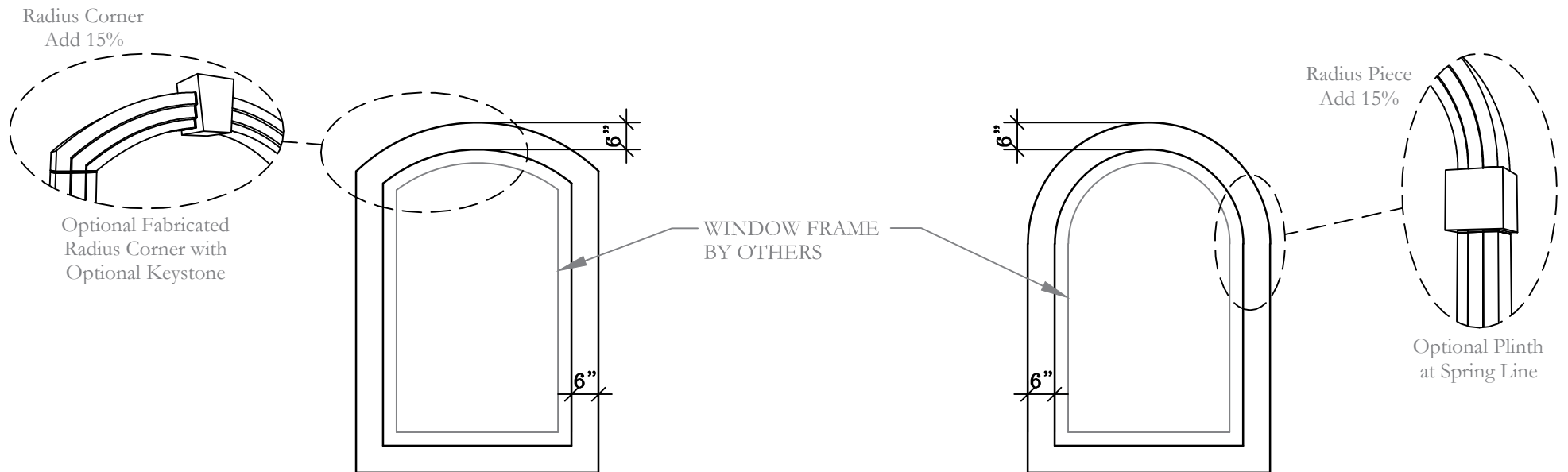


WINDOWS - STANDARD TYPES



6" Wide Window Surround
Type "A"

6" Wide Window Surround
Type "B"



6" Wide Window Surround
Type "C"

6" Wide Window Surround
Type "D"

Notes:

1. The 2D window surrounds are shown as generic with no details for clarity.
2. The 3D views show details in order to illustrate the fabricated corners.
3. Corners may be field mitered to avoid the expense of fabricated corners.
4. All Window Profiles shall be provided in 24" lengths, typical.



architectural stone and tile

www.mstoneandtile.com

WINDOWS
STANDARD
TYPES