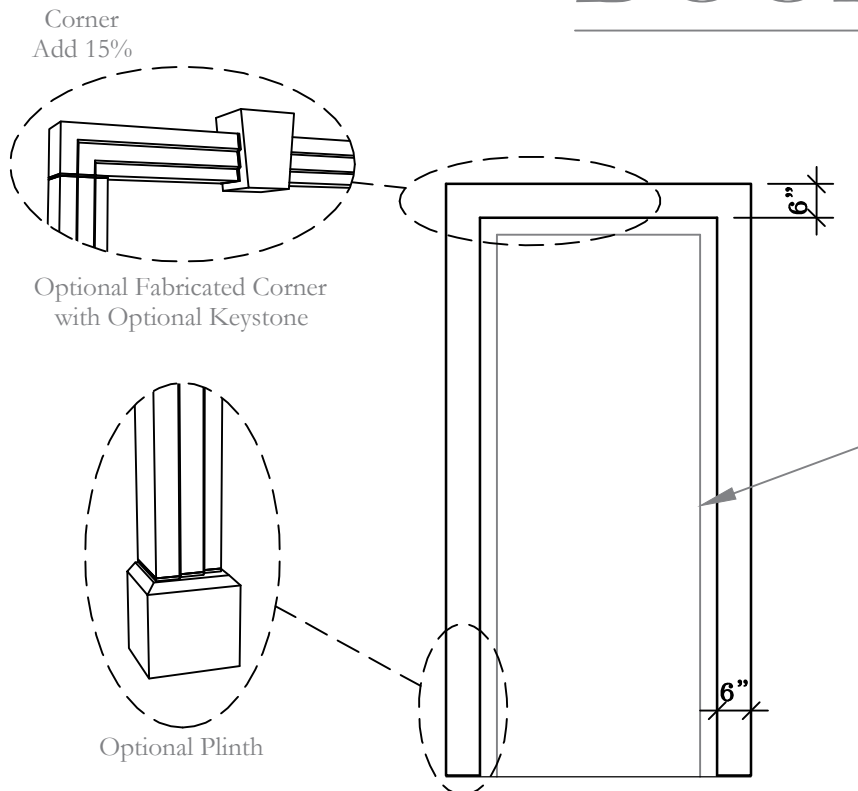
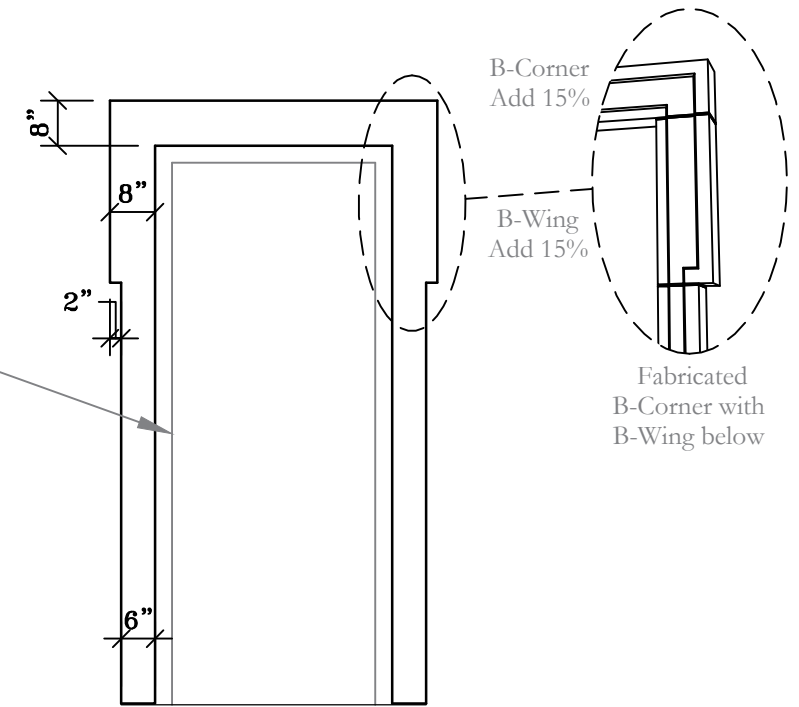


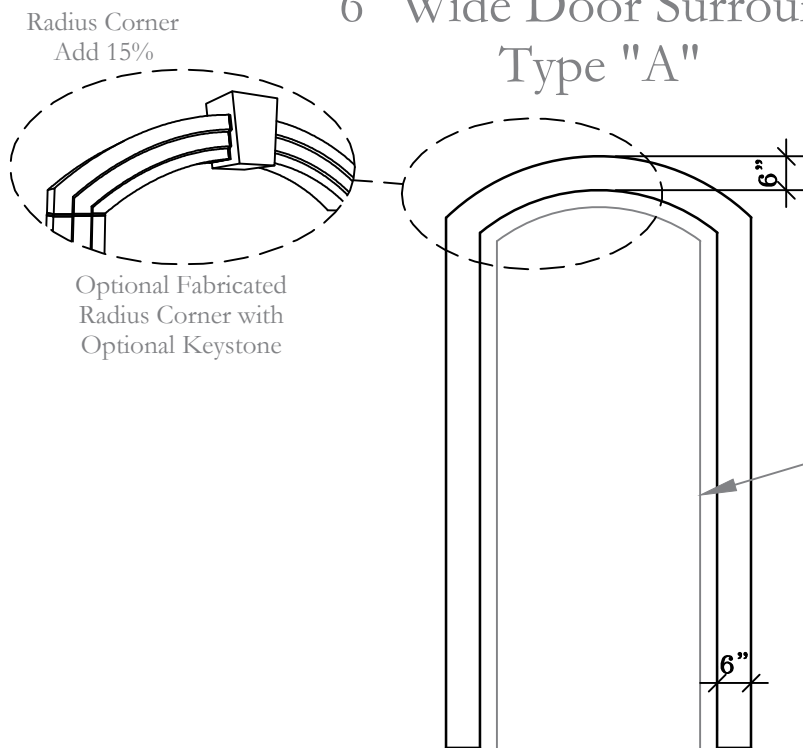
# DOORS - STANDARD TYPES



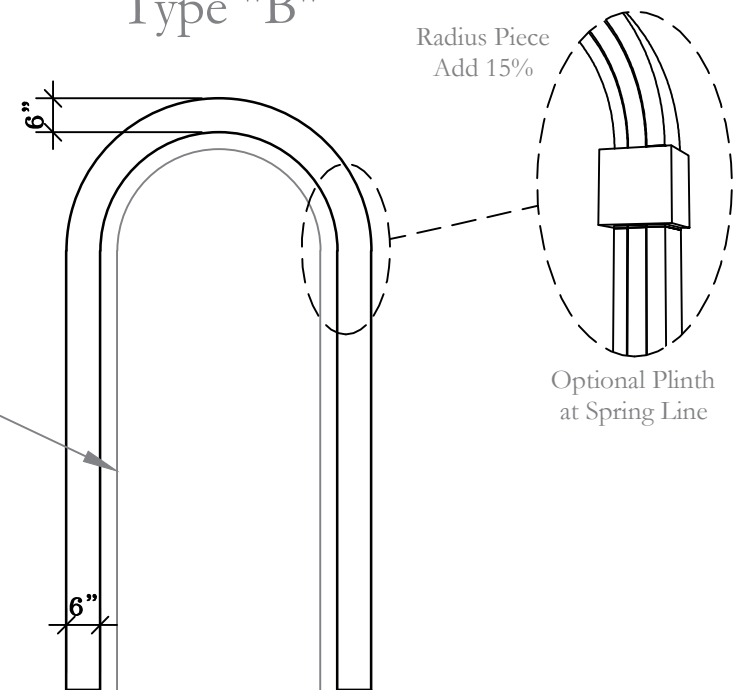
6" Wide Door Surround  
Type "A"



6" Wide Door Surround  
Type "B"



6" Wide Door Surround  
Type "C"



6" Wide Door Surround  
Type "D"

Notes:

1. The 2D door surrounds are shown as generic with no details for clarity.
2. The 3D views show details in order to illustrate the fabricated corners.
3. Corners may be field mitered to avoid the expense of fabricated corners.
4. All Door Profiles shall be provided in 24" lengths, typical.



architectural stone and tile

www.mstoneandtile.com

DOORS  
STANDARD  
TYPES