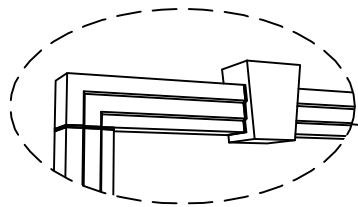
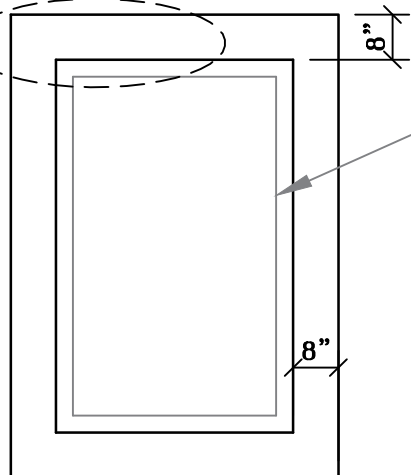


WINDOWS - STANDARD TYPES

Corner
Add 15%



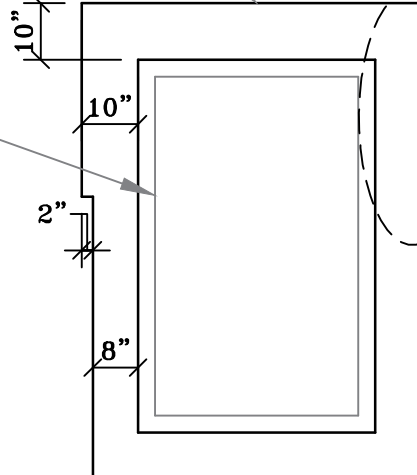
Optional Fabricated Corner
with Optional Keystone



8" Wide Window Surround
Type "A"

KEYSTONES KS-908 & KS-909
DO NOT WORK WITH THE
8" WIDE WINDOW SURROUND
TYPE "B"

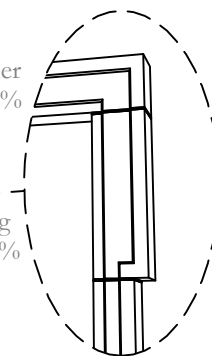
WINDOW FRAME
BY OTHERS



8" Wide Window Surround
Type "B"

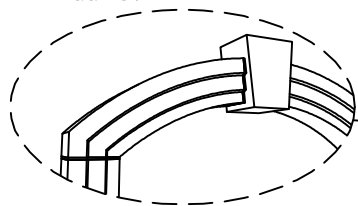
B-Corner
Add 15%

B-Wing
Add 15%

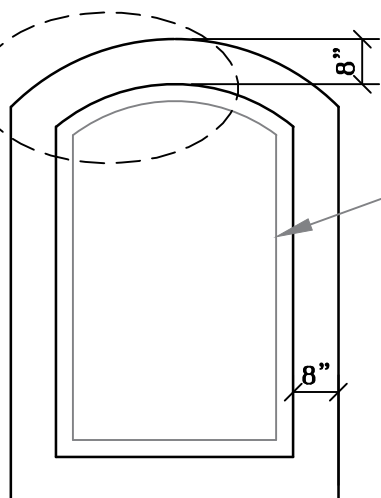


Fabricated
B-Corner with
B-Wing below

Radius Corner
Add 15%

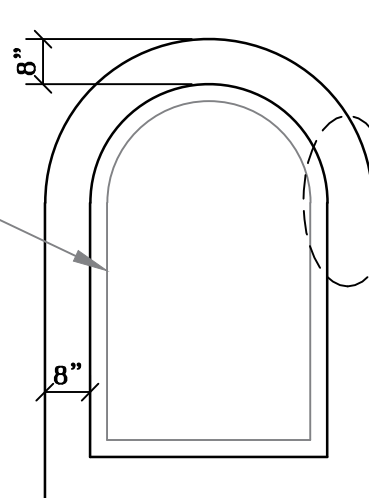


Optional Fabricated
Radius Corner with
Optional Keystone



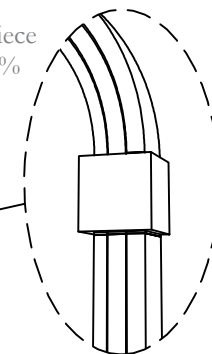
8" Wide Window Surround
Type "C"

WINDOW FRAME
BY OTHERS



8" Wide Window Surround
Type "D"

Radius Piece
Add 15%



Optional Plinth
at Spring Line

Notes:

1. The 2D window surrounds are shown as generic with no details for clarity.
2. The 3D views show details in order to illustrate the fabricated corners.
3. Corners may be field mitered to avoid the expense of fabricated corners.
4. All Window Profiles shall be provided in 24" lengths, typical.



architectural stone and tile

www.mstoneandtile.com

WINDOWS
STANDARD
TYPES