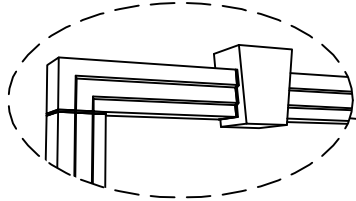
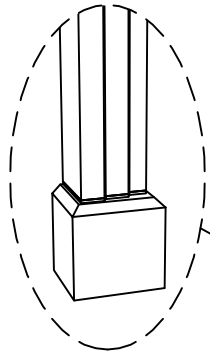


DOORS - STANDARD TYPES

Corner
Add 15%

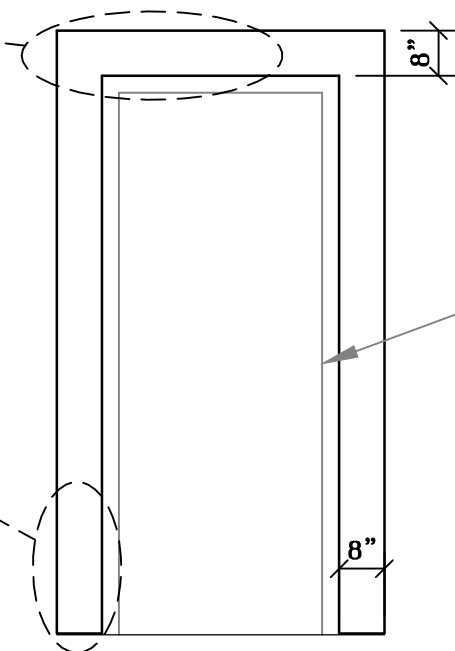


Optional Fabricated Corner
with Optional Keystone

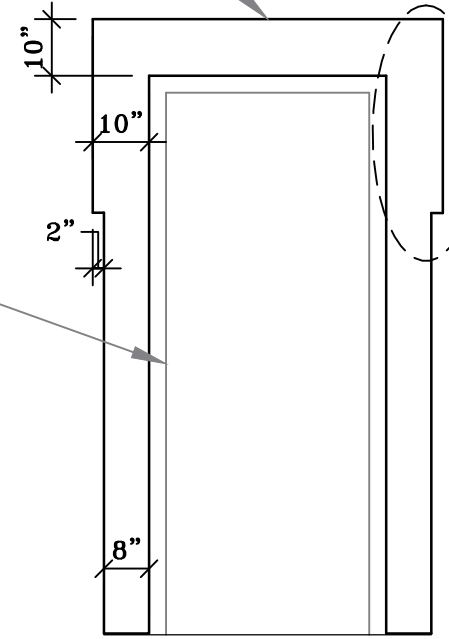


Optional Plinth

KEYSTONES KS-908 & KS-909
DO NOT WORK WITH THE
8" WIDE DOOR SURROUND
TYPE "B"



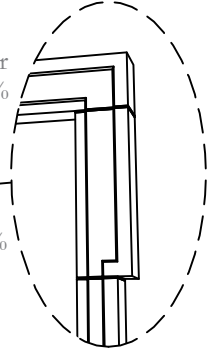
8" Wide Door Surround
Type "A"



8" Wide Door Surround
Type "B"

B-Corner
Add 15%

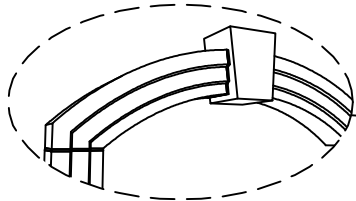
B-Wing
Add 15%



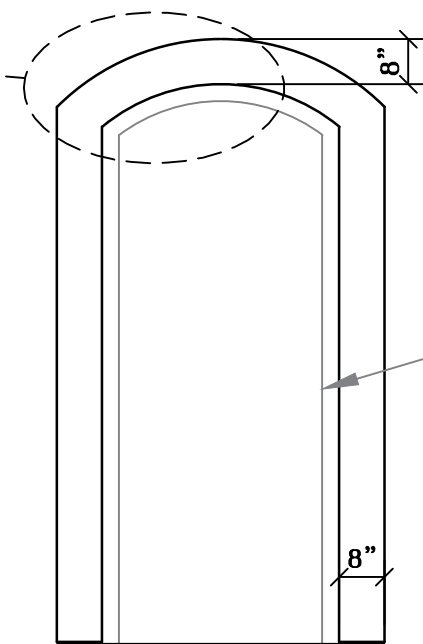
Fabricated
B-Corner with
B-Wing below

DOOR FRAME
BY OTHERS

Radius Corner
Add 15%

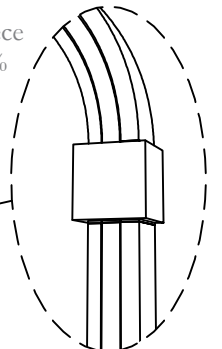


Optional Fabricated
Radius Corner with
Optional Keystone



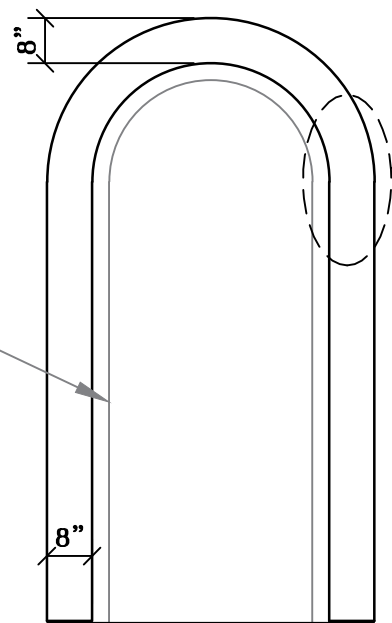
8" Wide Door Surround
Type "C"

Radius Piece
Add 15%



Optional Plinth
at Spring Line

DOOR FRAME
BY OTHERS



8" Wide Door Surround
Type "D"

Notes:

1. The 2D door surrounds are shown as generic with no details for clarity.
2. The 3D views show details in order to illustrate the fabricated corners.
3. Corners may be field mitered to avoid the expense of fabricated corners.
4. All Door Profiles shall be provided in 24" lengths, typical.



architectural stone and tile

www.mstoneandtile.com

DOORS
STANDARD
TYPES