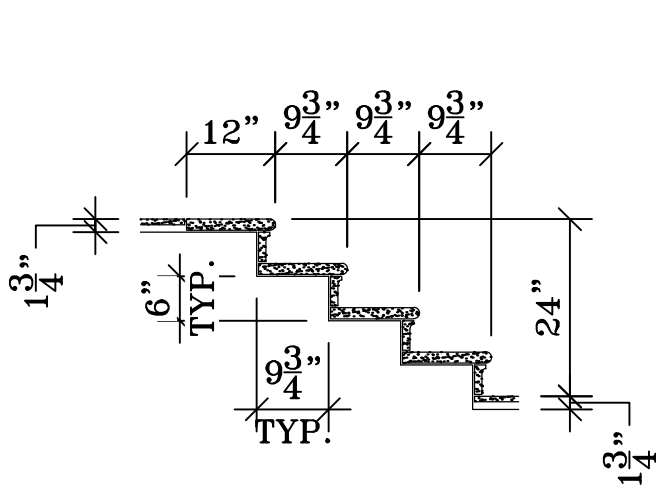
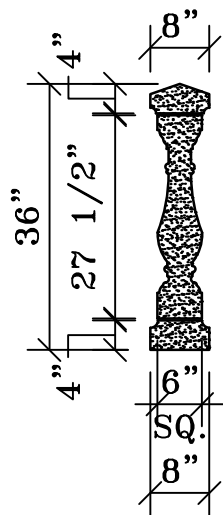


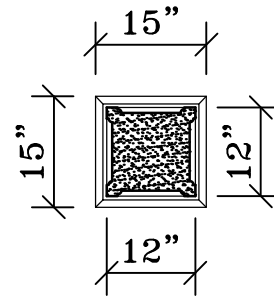
# BALUSTRADE STAIRCASE



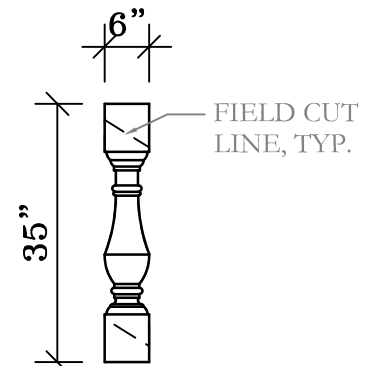
Tread and Riser Section



Balustrade Section

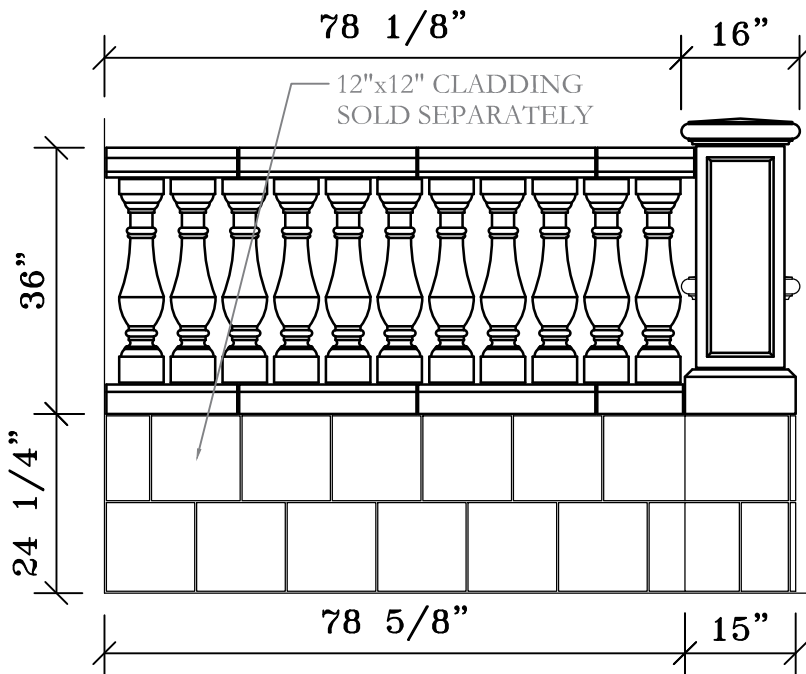


Newel Post  
Plan Section

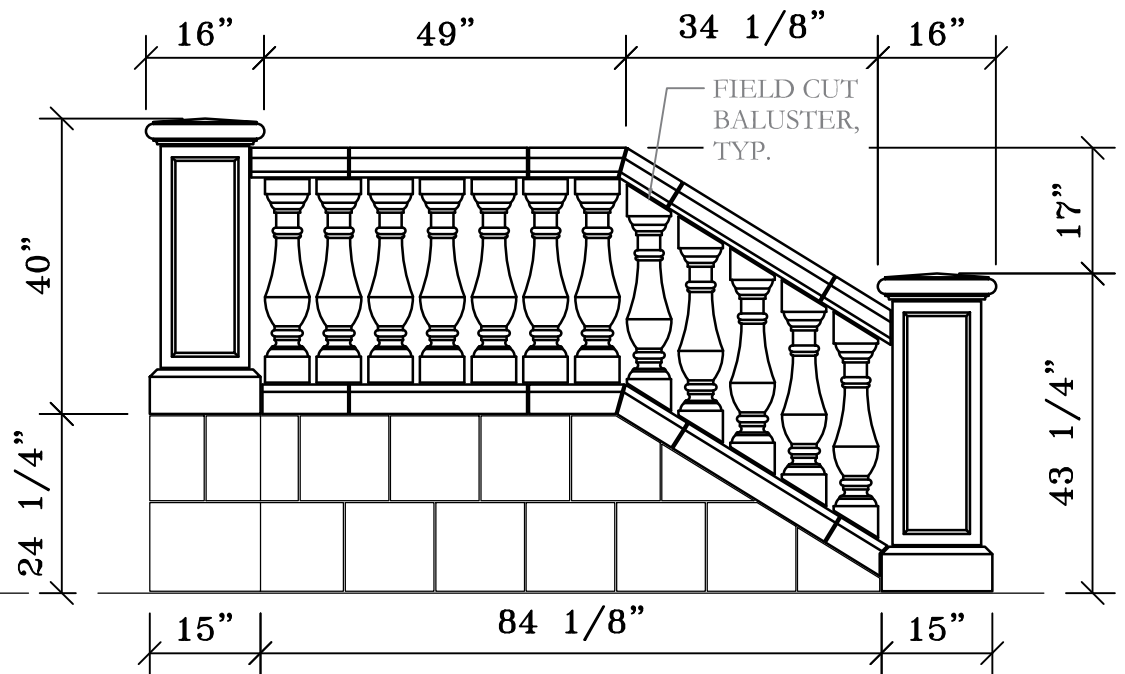


Field Cut  
Baluster

Note: All stone cladding sold separately.  
Please see note no. 2 below.



Balustrade Side Elevation



Balustrade Front Elevation

Notes:

1. All Balustrade Profiles shall be provided in 24" lengths, typical.
2. Refer to Dimensional Stone Price List for available veneer sizes, thicknesses and pricing.



architectural stone and tile

[www.mstoneandtile.com](http://www.mstoneandtile.com)

BALUSTRADE  
STAIRCASE