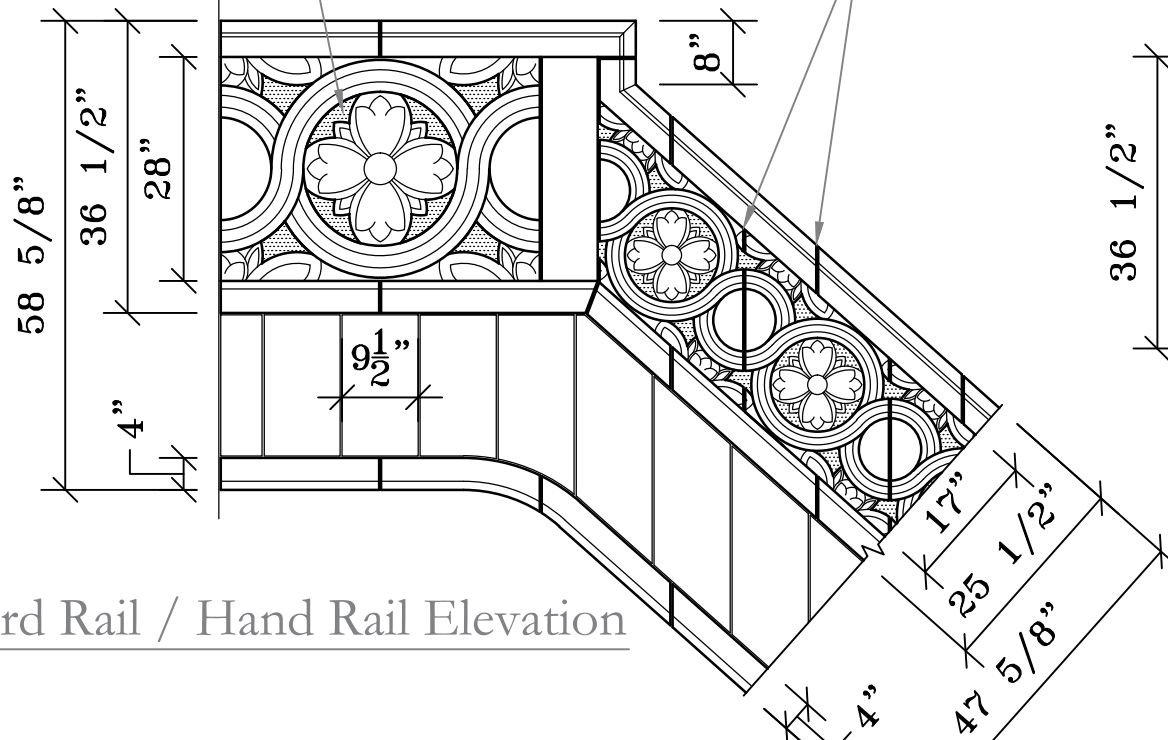


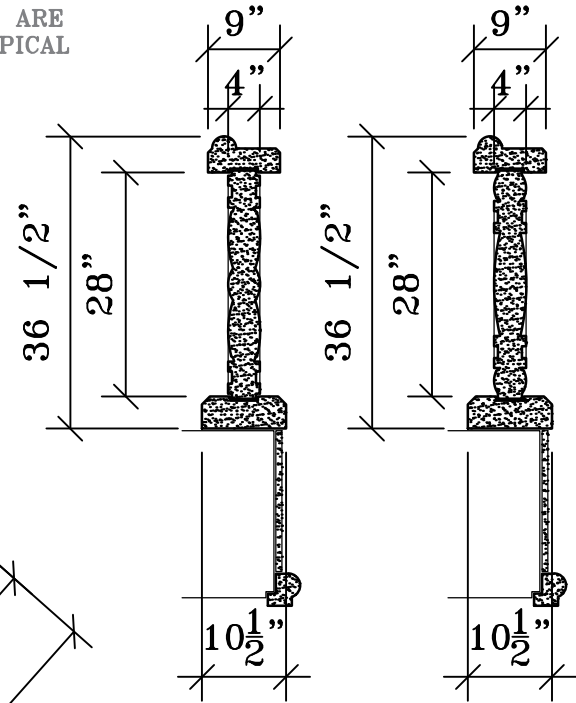
DECORATIVE PANEL STAIRCASE

OPENINGS ARE HATCHED, TYPICAL

MORTAR JOINTS ARE STAGGERED, TYPICAL

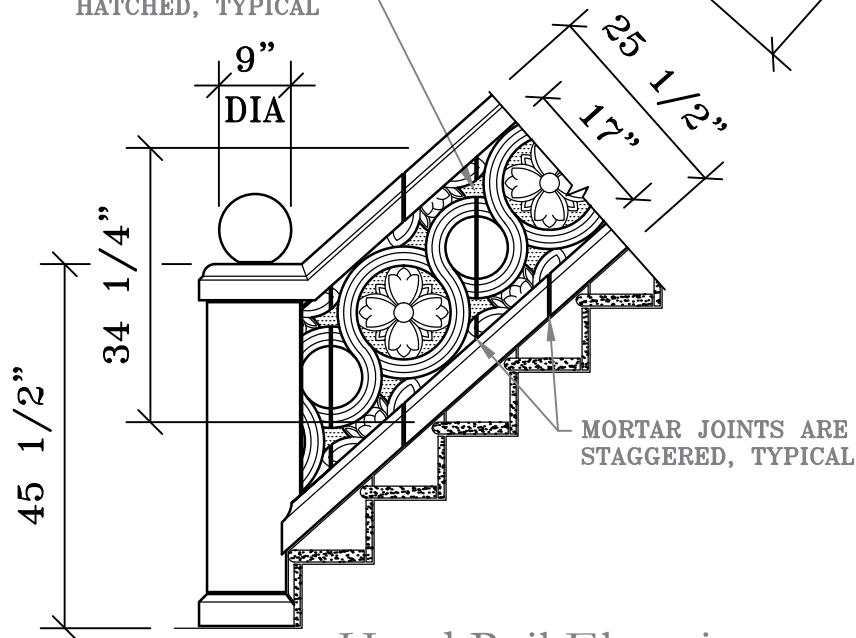


Guard Rail / Hand Rail Elevation

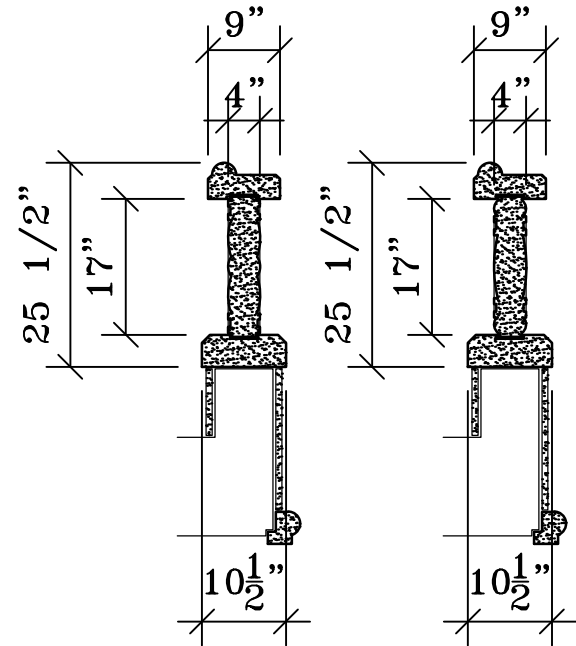


Guard Rail Sections

OPENINGS ARE HATCHED, TYPICAL



Hand Rail Elevation



Hand Rail Sections



architectural stone and tile

www.mstoneandtile.com

DECORATIVE
PANEL
STAIRCASE