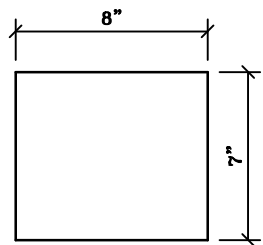
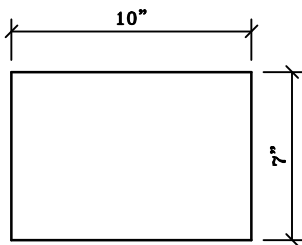


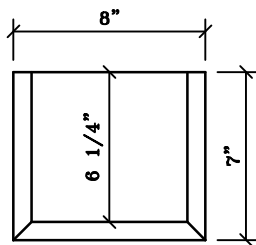
# DOOR & WINDOW - MASONRY DEPTH PLINTHS



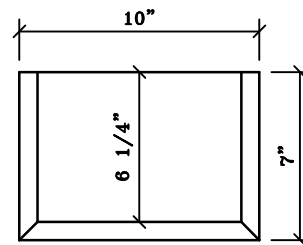
Plan PL-901; 8" Wide  
Masonry Depth



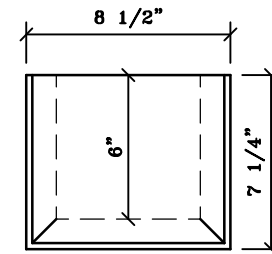
Plan PL-901; 10" Wide  
Masonry Depth



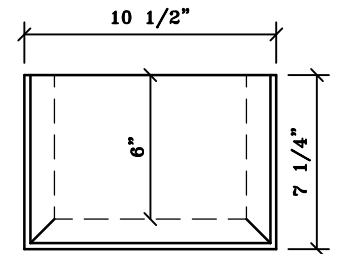
Plan PL-902; 8" Wide  
Masonry Depth



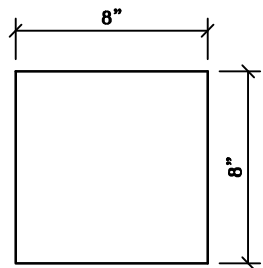
Plan PL-902; 10" Wide  
Masonry Depth



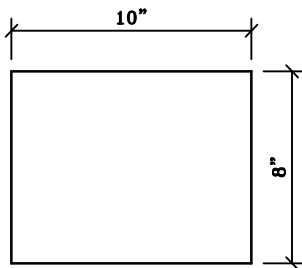
Plan PL-903; 8" Wide  
Masonry Depth



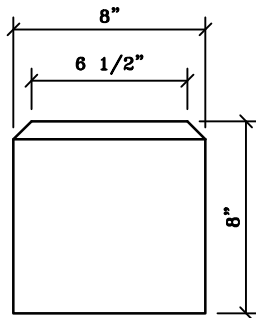
Plan PL-903; 10" Wide  
Masonry Depth



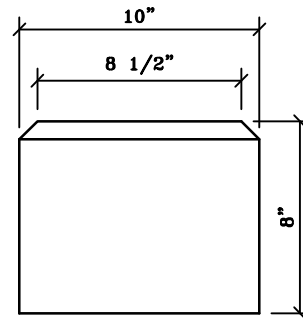
Front PL-901; 8" Wide  
Formerly PL280



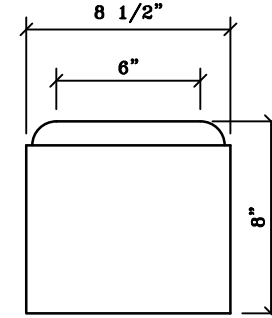
Front PL-901; 10" Wide  
Formerly PL281



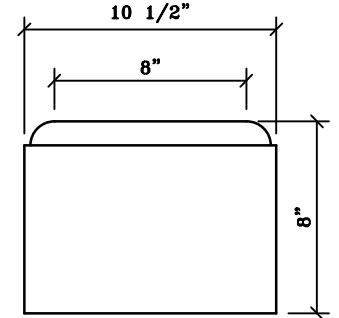
Front PL-902; 8" Wide  
Formerly PL286



Front PL-902; 10" Wide  
Formerly PL287



Front PL-903; 8" Wide  
Formerly PL283



Front PL-903; 10" Wide  
Formerly PL284

## Notes:

1. Plinths are intended for use with 6" masonry depth Door and Window Profiles.
2. Only PL-901 is suitable for use as a spring line plinth for window surrounds.



materials marketing

architectural stone and tile

[www.mstoneandtile.com](http://www.mstoneandtile.com)

DOOR & WINDOW  
MASONRY DEPTH  
PLINTHS