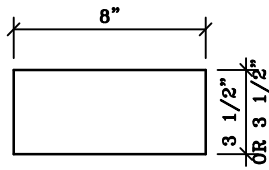
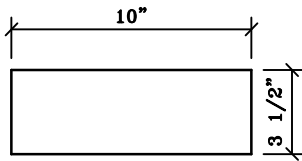


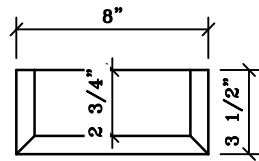
DOOR & WINDOW - STUCCO DEPTH PLINTHS



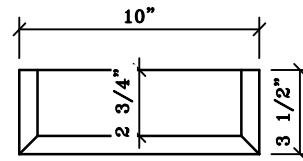
Plan PL-901; 8" Wide
Formerly PL280



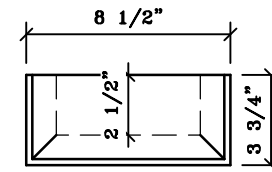
Plan PL-901; 10" Wide
Stucco Depth



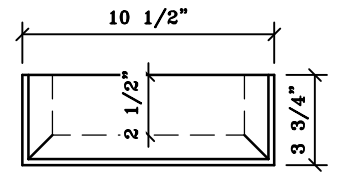
Plan PL-902; 8" Wide
Stucco Depth



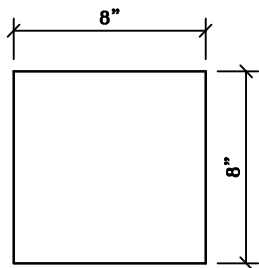
Plan PL-902; 10" Wide
Stucco Depth



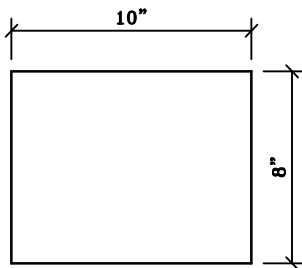
Plan PL-903; 8" Wide
Stucco Depth



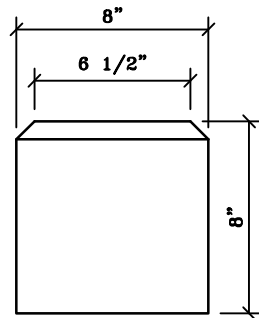
Plan PL-903; 10" Wide
Stucco Depth



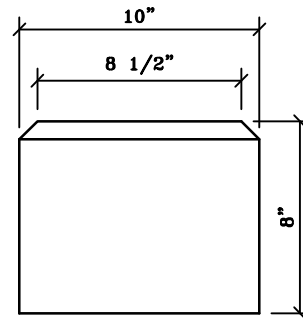
Front PL-901; 8" Wide
Formerly PL280



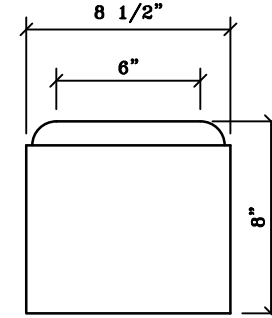
Front PL-901; 10" Wide
Formerly PL281



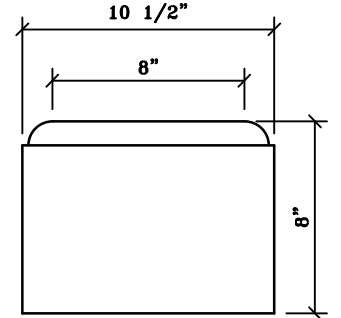
Front PL-902; 8" Wide
Formerly PL286



Front PL-902; 10" Wide
Formerly PL287



Front PL-903; 8" Wide
Formerly PL283



Front PL-903; 10" Wide
Formerly PL284

Notes:

1. Plinths are intended for use with 2 1/2" stucco depth Door and Window Profiles.
2. Only PL-901 is suitable for use as a spring line plinth for window surrounds.



architectural stone and tile
www.mstoneandtile.com

DOOR & WINDOW
STUCCO DEPTH
PLINTHS