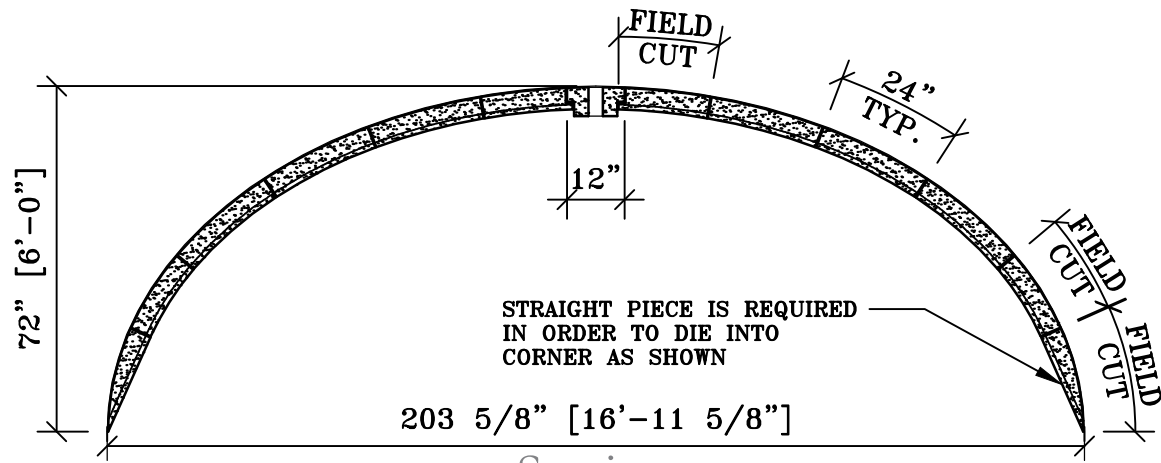
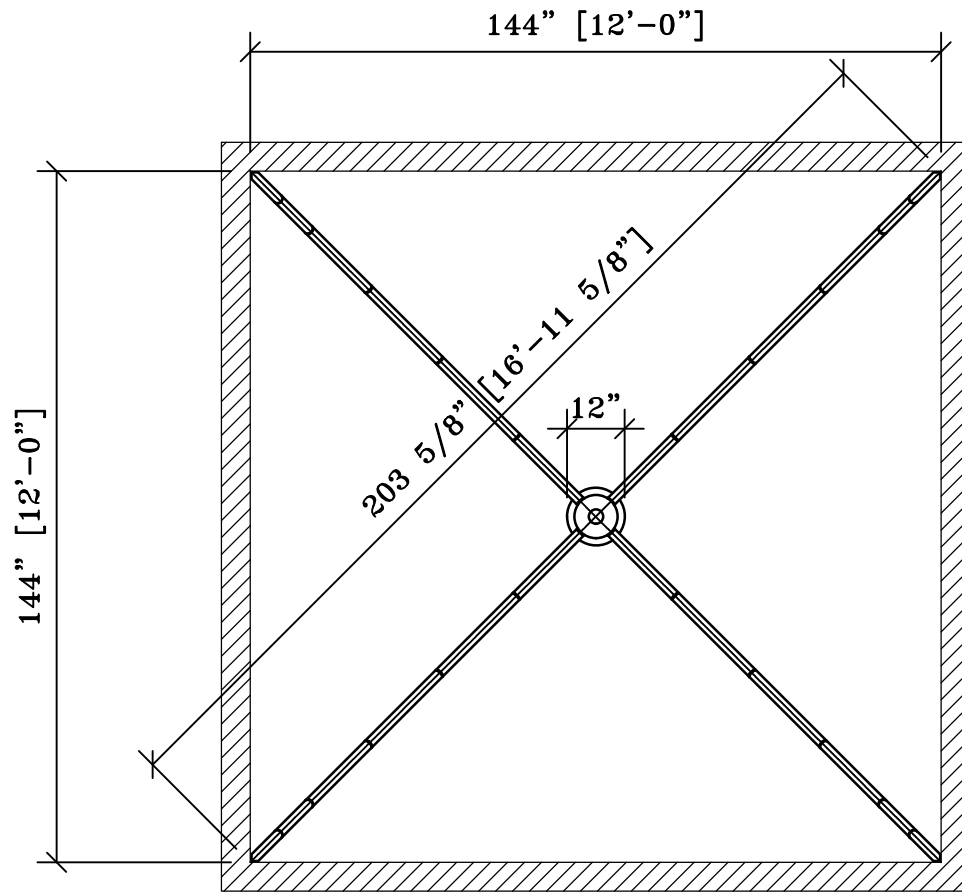


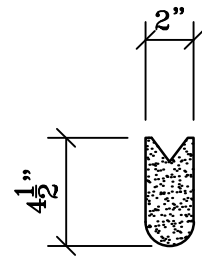
GV-902 GROIN VAULT RIBS



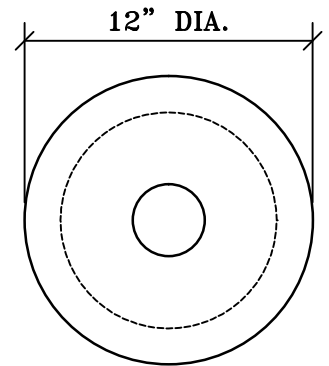
Section
GV-902



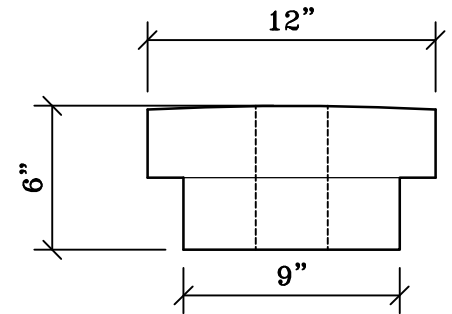
Reflected Ceiling Plan View
GV-902



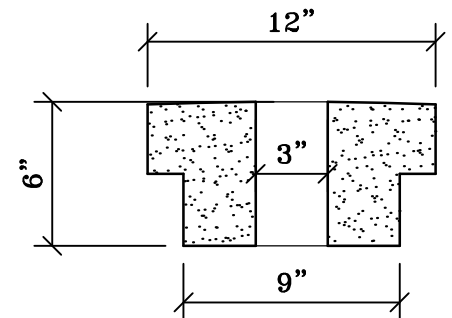
Groin Vault Rib Section



Center Disc Plan View



Center Disc Elevation



Center Disc Section

Notes:

1. All Groin Vault Rib Profiles shall be provided in 24" lengths, typical.
2. Groin Vault Ribs shall be field cut by others at the center disc and the wall corners.



architectural stone and tile
www.mstoneandtile.com

GV-902
GROIN
VAULT RIBS