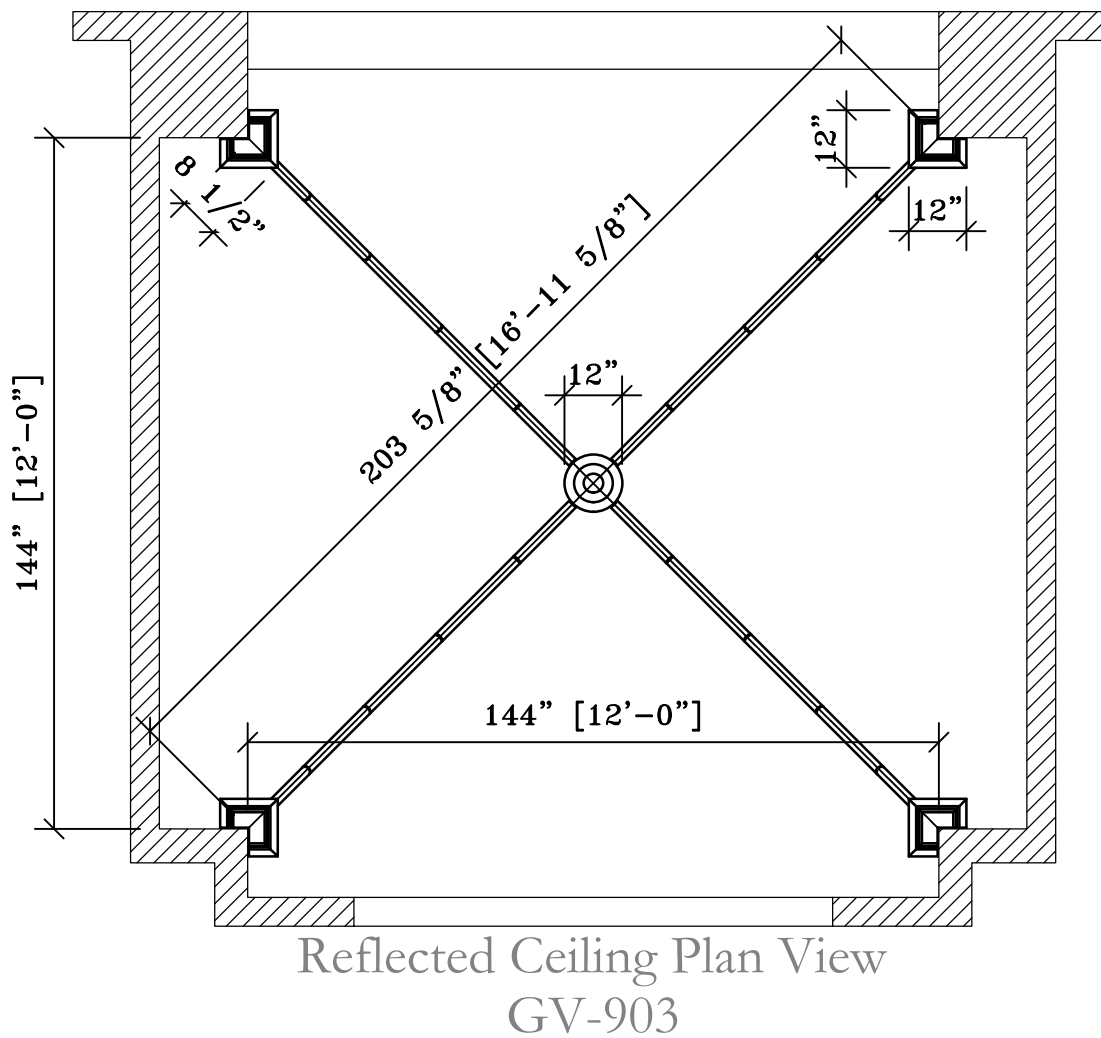
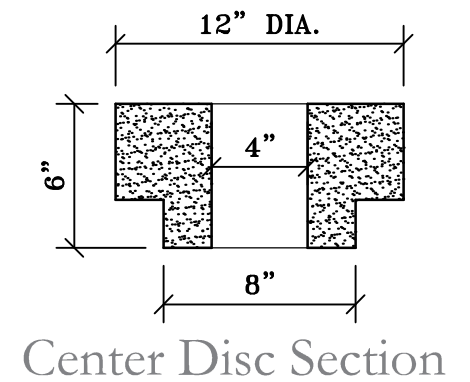
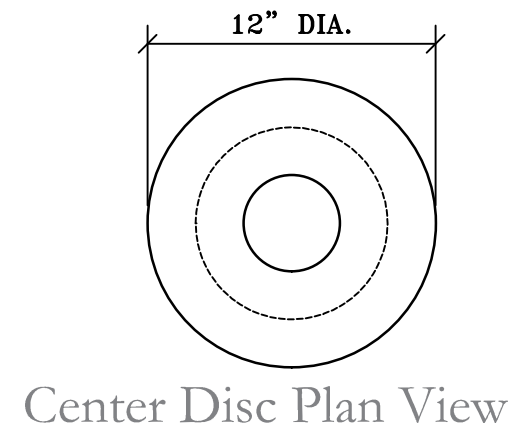
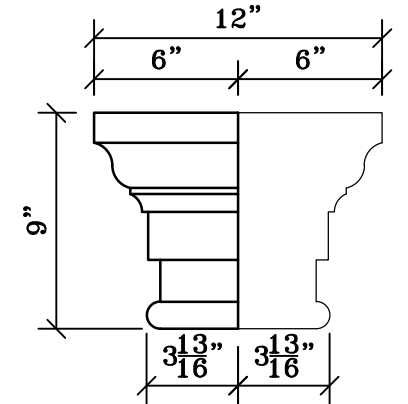
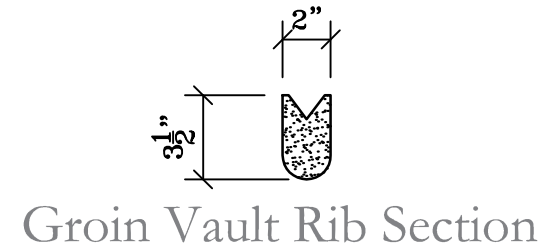
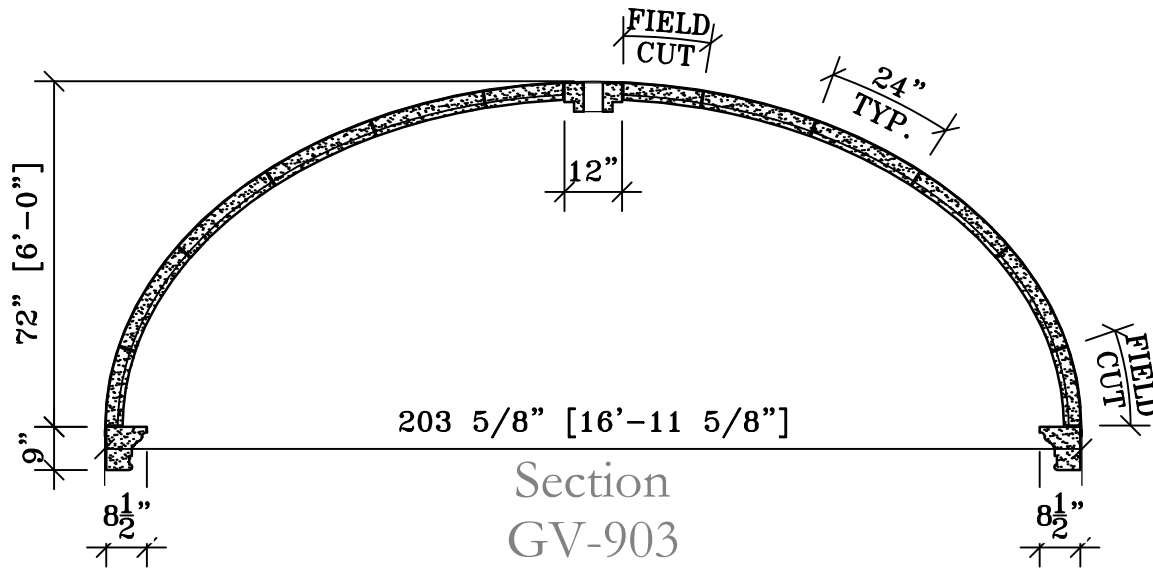


GV-903 GROIN VAULT RIBS



Notes:

1. All Groin Vault Rib Profiles shall be provided in 24" lengths, typical.
2. Groin Vault Ribs shall be field cut by others at the center disc and the corbels at the wall corners.



architectural stone and tile
www.mstoneandtile.com

GV-903
GROIN
VAULT RIBS