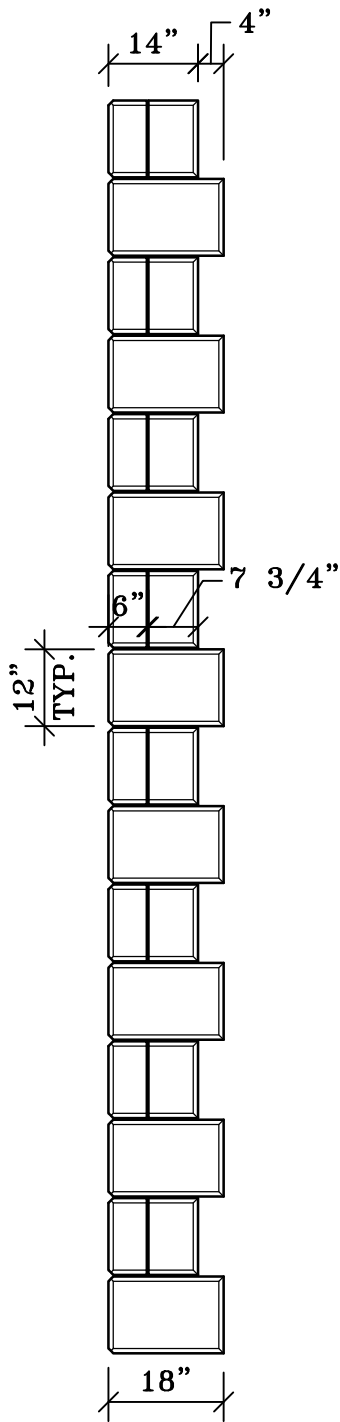
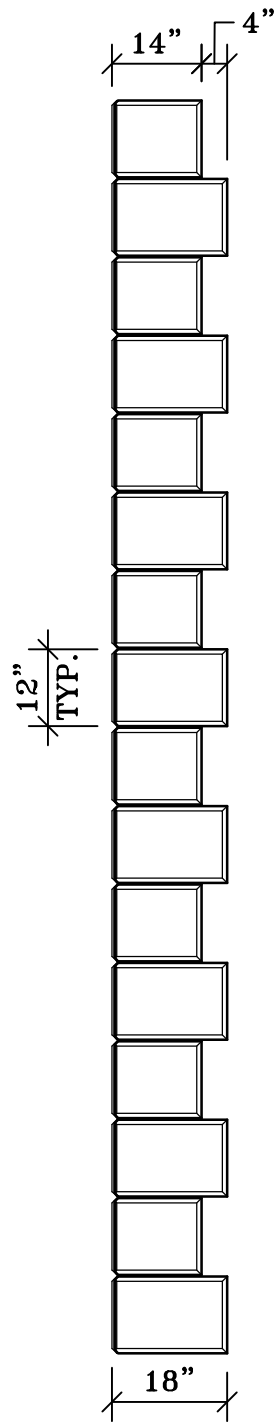


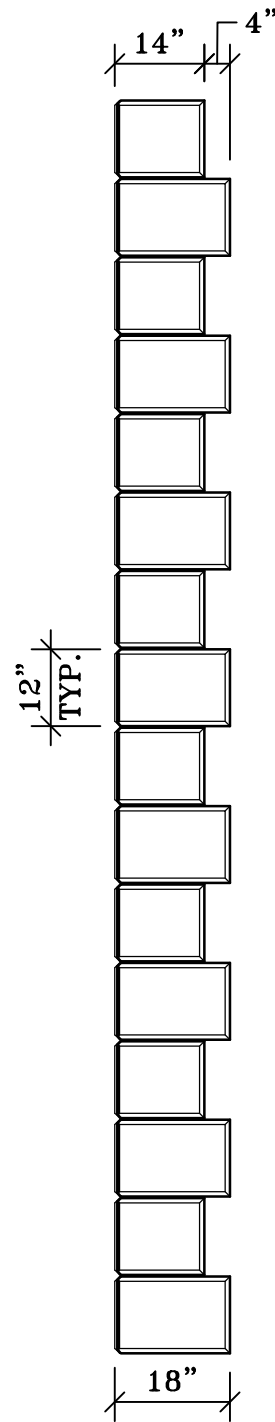
QUOINS - GRESHAM MASONRY DEPTH



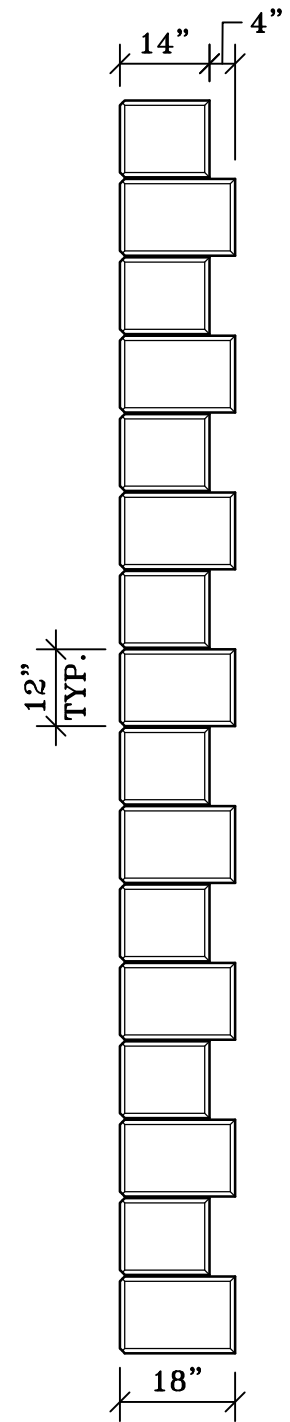
Front View
Butt Joint



Front View
Field Mitered



Front View
Quirk Mitered



Front View
L-Shaped

Note: All mortar joints are 1/4"
unless noted otherwise



architectural stone and tile
www.mstoneandtile.com

GRESHAM QUOINS
MASONRY DEPTH