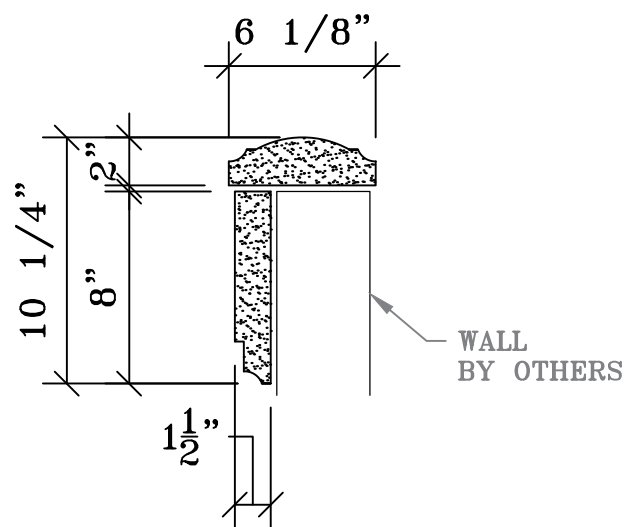
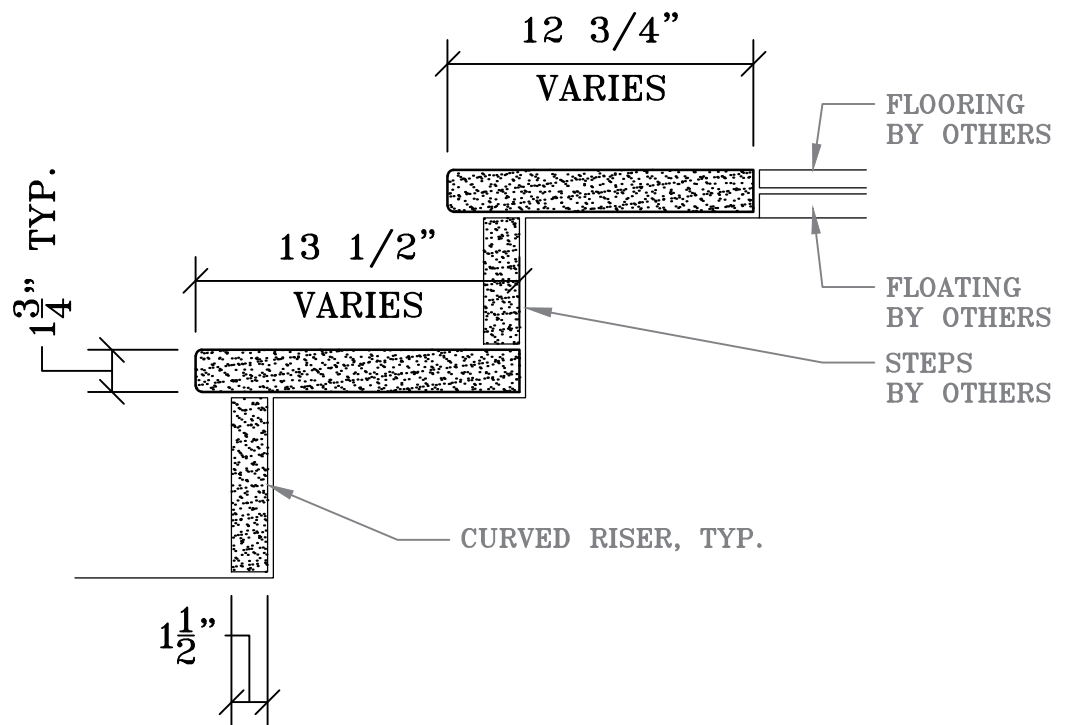


# STRINGER PANEL STAIRCASE



Stringer Section



Tread and Riser Section



architectural stone and tile

[www.mstoneandtile.com](http://www.mstoneandtile.com)

STRINGER  
PANEL  
STAIRCASE